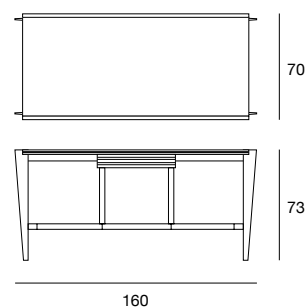


arch. Fabio Rebosio

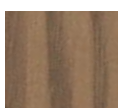
athos

Scrivania con struttura in massello di frassino dotato di cassetto estraibile ed inserto in cuoio, pelle o ecopelle. Finiture disponibili: FN frassino naturale, CL ciliegio americano, WG wengé, NC noce, TB tabacco, laccato opaco poro aperto. Writing desk with structure in solid ash, equipped with pull-out drawer and leather or eco-leather insert. Available finishings: FN natural ash, CL american cherry, WG wengé, NC walnut, TB tobacco, open pore matt lacquered.

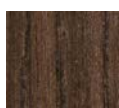
writing desk
cod.5470



LEGNI
WOODS



NC
frassino tinto noce
ash stained walnut



TB
frassino tinto tabacco
ash stained tobacco



WG
frassino tinto wengé
ash stained wengé



CL
frassino tinto
ciliegio americano
ash stained
american cherry



FN
frassino naturale
natural ash

LACCATO OPACO PORO APERTO
OPEN PORE MATT LACQUERED



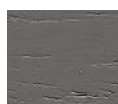
L21
bianco
white



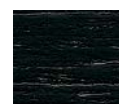
L29
madreperla
pearl



L23
cappuccino
cappuccino colour



L25
grigio fumo
smoke grey



L22
nero
black



L24
rosso
red